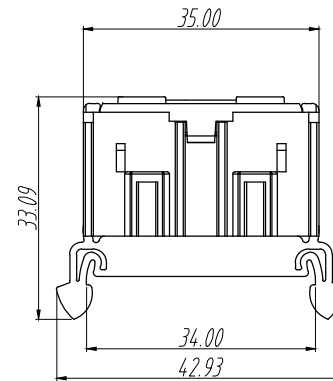
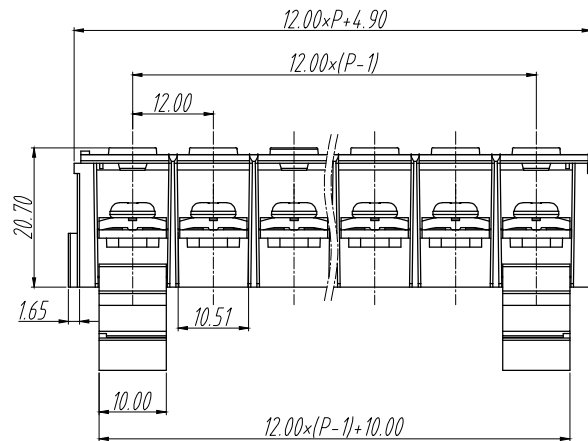
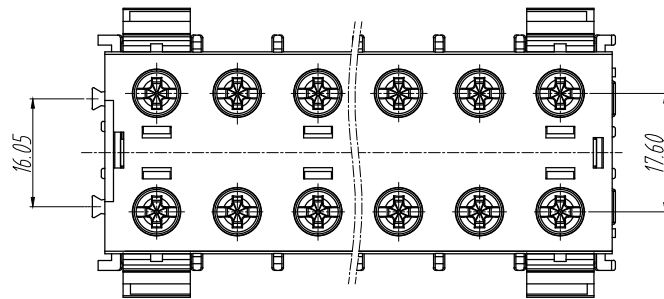


REVISION RECORD			
REV.	CONTENT	MOD.	DATE
△	初版发行		



NOTES:
 Pitch : 12.0mm
 Rated Voltage : 600V
 Rated Current : 25A
 Withstand Voltage :
 AC3000V for 1 minute
 Using Temperature Range :
 -40 ~ +105
 Suitable Electric Wire : 22-14 AWG
 Screw Torque Value : M4/1.2Nm

技术要求:
 间距: 12.0mm
 额定电压: 600V
 额定电流: 25A
 耐电压值: AC3000V/min
 使用条件: -40℃~+105℃
 适用线规: 22-14 AWG
 螺丝扭矩: M4/1.2Nm

	pitch dimension			Nominal dimension					— ▱ ⤿
	over 0	over 6	over 10	over 0	over 30	over 60	over 100	over 150	
variable range	to 6	to 10	to 24	to 30	to 60	to 100	to 150		
Tolerance	±0.1	±0.15	±0.25	±0.2	±0.3	±0.5	±0.7	±1.0	0.05/10

7	DG-L-C45/2米	6JH9LDG0001V	1	铝	
6	KJ32-卡脚	6TB1J300253V	2	PA66-V0	黑色
5	标记条		1	A4腹膜纸	
4	M5*10-12*12螺丝	SPFFB501093V	2P	合金铜	镀镍
3	TA-40A-C导电件	6TB1BDD040AV-1	P	黄铜	镀镍
2	TB1-25-H盖板	6TB1C302050V-H	1	PC	透明
1	TB1-25-H主体	6TB1E302050V-H	1	PC	黑色

NO.	NAME OF PART	NO. OF PART	Q'TY	MATERIAL	NOTES
DES.	CMZ	DATE	2025/08/26	UNITS	mm
CHK.		DATE		SIZE	A4
APP.		DATE		SCALE	1:1
				DWG NO.	SP-1-6TB1H25
				TITLE	TB1-25XX-H-1Y-00A TB1-25XX-H成品



上海有乐电气有限公司
 Shanghai YouLe Electric CO.,LTD

TB1-25XX-H-1Y-00A
 TB1-25XX-H成品

THIRD ANGLE PROJECTION
 SHEET 1 of 1