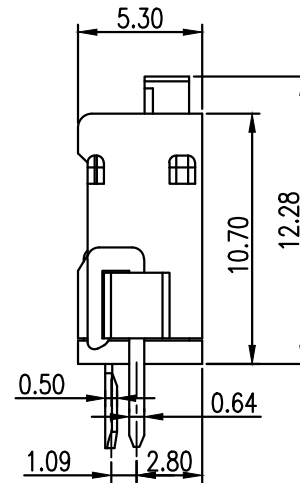
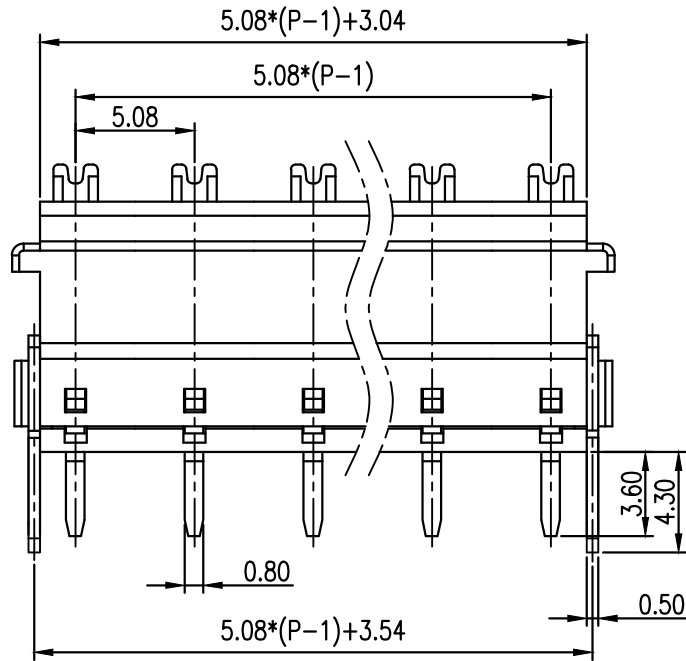
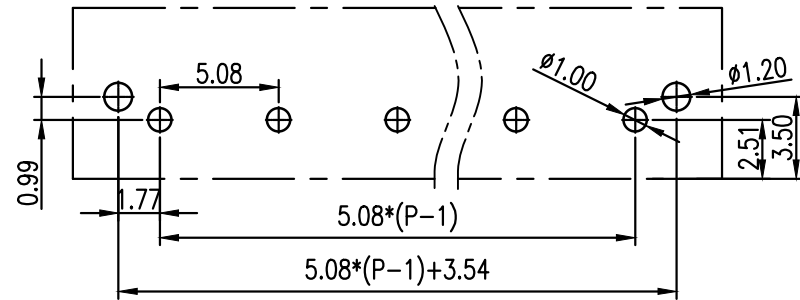
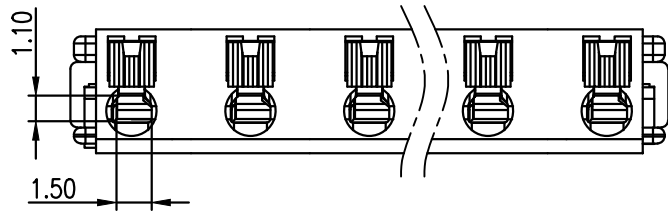


REVISION RECORD			
REV.	CONTENT	MOD.	DATE
△	初版发行		



技术要求:

1. 额定电压: 300V, 额定电流: 6A
2. 间距: 5.08mm
3. 耐受电压值: AC 2000V/min
4. 使用条件: -40°C~+105°C
5. 适用线规: 26-20AWG
6. 剥线长度: 7mm

NOTES:

1. Voltage Rating: 300V, Current Rating: 6A
2. PITCH: 5.08mm
3. Insulation Withstands Voltage: AC2000V/min
4. Using Temperature Range:-40°C~+105°C
5. Suitable Electric Wire:26-20AWG
6. stripping length:7mm

	pitch dimension			Nominal dimension					— /
	over 0 to 6	over 10 to 10	over 10 to 24	over 0 to 30	over 30 to 60	over 60 to 100	over 100 to 150	over 150 to 150	
variable range	0 to 6	10 to 10	24 to 24	0 to 30	30 to 60	60 to 100	100 to 150	150 to 150	□ ○
Tolerance	±0.1	±0.15	±0.25	±0.2	±0.3	±0.5	±0.7	±1.0	0.05/10

6	V3.81/3.5耳朵五金件	2079B0003AV	2	不锈钢	
5	LC8-2.54弹片	1169B0002AV	P	不锈钢	
4	LS341-2.54-V针	1171B0001AV	1	磷青铜	镀亮锡
3	LC8按钮	1169D0Y01AV	P	POM	
2	LS341-5.08盖板	1220C0YXXAV	1	PA66	
1	LC8XM-5.08主体	1197M0YXXAV	1	PA66	
NO.	NAME OF PART	NO. OF PART	Q'TY	MATERIAL	NOTES
DES.	CMZ	DATE 26/01/26	UNITS	mm	THIRD ANGLE PROJECTION
CHK.		DATE	SIZE	A4	1 of 1
APP.		DATE	SCALE	1:1	DWG NO. SP-2-1171001 REV:V0
上海有乐电气有限公司 Shanghai YouLe Electric CO.,LTD				TITLE	LS341XV-5.08-XXP-1Y-00A LS341XV-5.08-成品