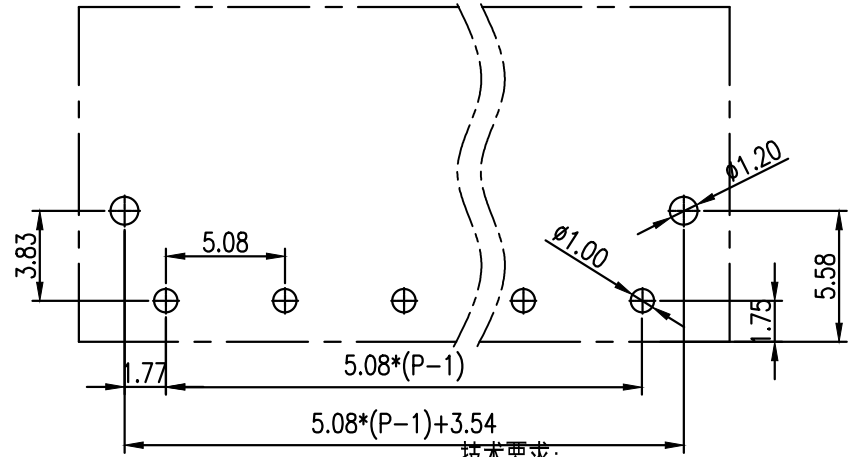
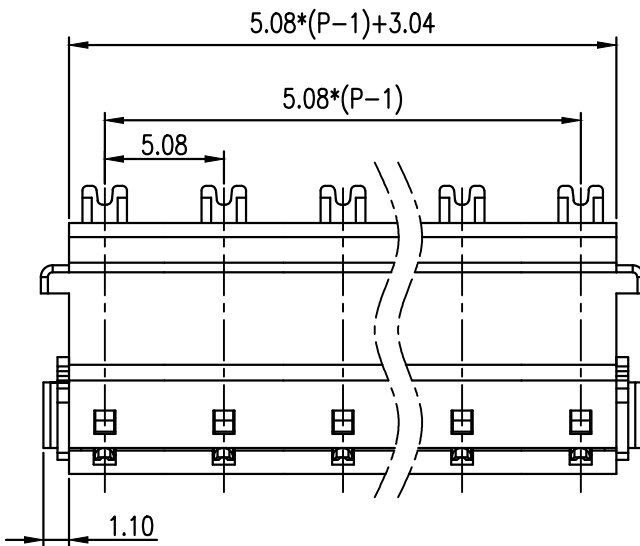
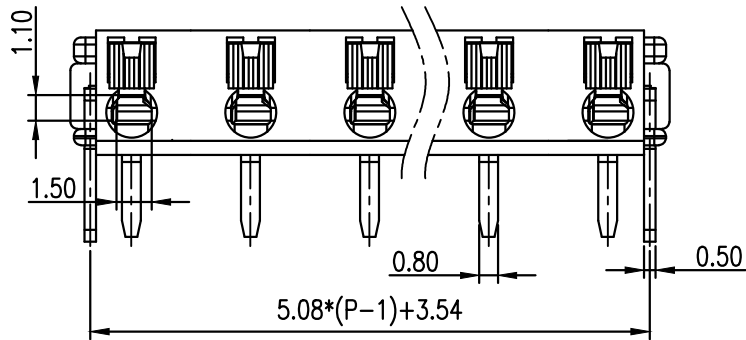


REVISION RECORD			
REV.	CONTENT	MOD.	DATE
△	初版发行		

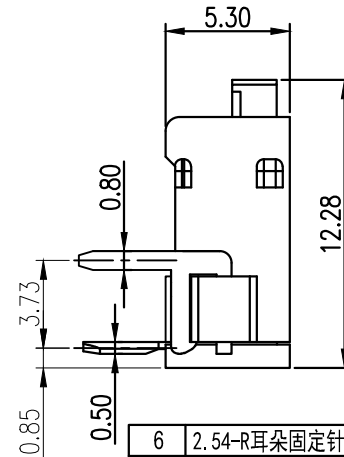


技术要求:

1. 额定电压: 300V, 额定电流: 6A
2. 间距: 5.08mm
3. 耐压值: AC 2000V/min
4. 使用条件: -40°C~+105°C
5. 适用线规: 26-20AWG
6. 剥线长度: 7mm

NOTES:

1. Voltage Rating: 300V, Current Rating: 6A
2. PITCH: 5.08mm
3. Insulation Withstands Voltage: AC2000V/min
4. Using Temperature Range: -40°C~+105°C
5. Suitable Electric Wire: 26-20AWG
6. stripping length: 7mm



	pitch dimension			Nominal dimension					— /
	over 0	over 6	over 10	over 0	over 30	over 60	over 100	over 150	
variable range	to 6	to 10	to 24	to 30	to 60	to 100	to 150		□
Tolerance	±0.1	±0.15	±0.25	±0.2	±0.3	±0.5	±0.7	±1.0	0.05/10

6	2.54-R耳朵固定针	1169B0006AV	2	不锈钢	
5	LC8-2.54弹片	1169B0002AV	P	不锈钢	
4	LS341-2.54-R针	1171B0002AV	1	磷青铜	镀亮锡
3	LC8按钮	1169D0Y01AV	P	POM	
2	LS341-5.08盖板	1220C0YXXAV	1	PA66	
1	LC8XM-5.08主体	1196M0YXXAV	1	PA66	
NO.	NAME OF PART	NO. OF PART	Q'TY	MATERIAL	NOTES
DES.	CMZ	DATE 26/01/26	UNITS	mm	THIRD ANGLE PROJECTION
CHK.		DATE	SIZE	A4	SHEET 1 of 1
APP.		DATE	SCALE	1:1	DWG NO. SP-2-1171001 REV: V0
				上海有乐电气有限公司 Shanghai YouLe Electric CO.,LTD	
TITLE				LS341XR-5.08-XXP-1Y-00A LS341XR-5.08-成品	